



# **RS-Divider Curtain**

---

## **Owner's Manual**

**RollSeal**  
**1733 County Road 68**  
**Bremen, Alabama 35033**  
**256-287-7000**

Table of Contents

1	Warnings (Avertissements) .....	3
2	Limited Warranty .....	5
3	Use of Equipment .....	6
4	General Dimensions .....	6
5	Installation of RS-Divider Curtain .....	6
5.1	Tools Required.....	6
5.2	Overview.....	6
5.3	Attachment Points of Curtain.....	6
5.4	Fastening Curtain Assembly to Clear Opening.....	6
5.5	Setting Limit Switches.....	7
6	Motor position and curtain position.....	7
6.1	The RS-Divider Curtain is easily reversible .....	7
6.2	How to back roll the curtain.....	8
7	Wiring the RS-Divider Curtain.....	8
7.1	Somfy 3 Position Switch Wiring 120v .....	9
7.2	Somfy Rocker Switch Wiring 120v .....	9
7.3	Somfy 3 Position Switch Wiring 220v .....	10
7.4	Somfy Rocker Switch Wiring 220v .....	10

# 1 Warnings (Avertissements)

## **Warning!**

Disconnect All Power Sources Before Installing This Equipment. Failure To Disconnect Power Source Can Result In Property Damage, Serious Injury Or Death!

## **Warning!**

Dangerous Rotating Machinery!  
Keep Hands, Clothing, Etc. Clear When Operating!  
Do Not Operate Without All Guards And Covers In Place!

## **Warning!**

All Wiring Should Be In Accordance with National Electrical Codes Or Other Local Codes.

## **Warning!**

The Installer Is Responsible For Complying With All Relevant Regulations, Such As National Wiring Regulations And Accident Prevention Regulations. Particular Attention Must Be Given To The Cross-sectional Areas Of Conductors, The Selection Of Fuses Or Other Protection, And Protective Earth/Ground Connections!

## **Warning!**

Labels Supplied With Door, if any, MUST Be Installed Outside The Door, Beside The Door Opening.

Apply Item 4501-6312 (Warning Moving Door Label) on Right Side Of Door Opening.

If applicable.



## **Warning!**

The Voltages In The Power Cables And Certain Parts Of The Drive Can Result In Death. Whenever The Drive Has Been Used, It Must Be Isolated And Disconnected For 5 Minutes Before Any Work Commences.

## **Danger!**

Only Qualified Electrical Personnel Familiar With The Construction And Operation Of This Equipment And The Hazards Involved Should Install, Adjust, And/Or Service This Equipment.  
Read And Understand This Manual In Its Entirety Before Proceeding.  
Failure To Observe This Precaution Could Result In Severe Bodily Injury Or Death!

## **IMPORTANT INSTALLATION INSTRUCTIONS**

### **Warning!**

#### **To Reduce The Risk Of Severe Injury Or Death:**

1. READ AND FOLLOW ALL INSTALLATION INSTRUCTIONS.
2. Do not connect the door operator to the source of power until instructed to do so.
3. Locate the control station: (a) within sight of the door, (b) at a minimum height of 5 feet so small children cannot reach it, and (c) away from all moving parts of the door. Remove all ropes and remove or make inoperative all locks connected to the door before installing opener.

## **IMPORTANT SAFETY INSTRUCTIONS**

### **Warning!**

#### **To Reduce The Risk Of Severe Injury Or Death:**

1. READ AND FOLLOW ALL INSTRUCTIONS!
2. Never let children operate or play with door controls. Keep the remote control (where provided) away from children.
3. Personnel should keep away from a door in motion and keep the moving door in sight until it is completely closed or opened. **NO ONE SHOULD CROSS THE PATH OF A MOVING DOOR.**
4. Test the door's safety features at least once a month. After adjusting either the speed or the limit of travel, retest the door operator's safety features. Failure to adjust the operator properly may cause severe injury or death. **NEVER GO UNDER A STOPPED, PARTIALLY OPEN DOOR.**
5. For products having a manual release, if possible, use the manual release only when the door is closed. Use caution when using this release when the door is open.
6. **KEEP DOORS PROPERLY OPERATING AND BALANCED.** See Door Manufacturer's Owner's Manual. An improperly operating or balanced door can cause severe injury or death. Have trained door systems technician make repairs to cables, spring assemblies, and other hardware.
7. Install the Entrapment Warning label next to the control button in a prominent location. Install the Emergency Release Marking. Attach the marking on or next to the emergency release.
8. After installing the opener, the door must reverse when it contacts a 1-1/2 inch high object (or a 2 x 4 board laid flat) on the floor.
9. **SAVE THESE INSTRUCTIONS.**

## 2 Limited Warranty

All products are warranted to be free from defects in material and workmanship for a period of one (1) year from the date of purchase if installed and used in strict accordance with the installation instructions. Liability is limited to the sale price of any products proved to be defective or, at manufacturers' option, to the replacement of such products upon their return. No products are to be returned to the manufacturer, until there is an inspection and/or a return-goods authorization (RGA) number is issued.

All complaints should be directed first to the authorized distributor who sold the product. If satisfaction is not obtained or the name of the distributor is not known, write the manufacturer that appears below, directed to the attention of Customer Service Manager.

This limited warranty is expressly in lieu of any and all representations and warranties expressed or implied, including any implied warranty of merchantability or fitness for a particular purpose. The remedy set forth in this limited warranty shall be the exclusive remedy available to any person. No person has authority to bind the manufacturer to any representation or warranty other than this limited warranty. The manufacturer shall not be liable for any consequential damages resulting from the use of our products or caused by any defect, failure or malfunction of our products. (Some areas do not allow the exclusion or limitation of incidental or consequential damages, so the above limitation or exclusion may not apply to you.)

This warranty gives you specific legal rights and you may also have other rights that vary from area to area.

**Warrantor:**  
RollSeal  
1733 County Road 68  
Bremen, AL 35055  
256-287-7000

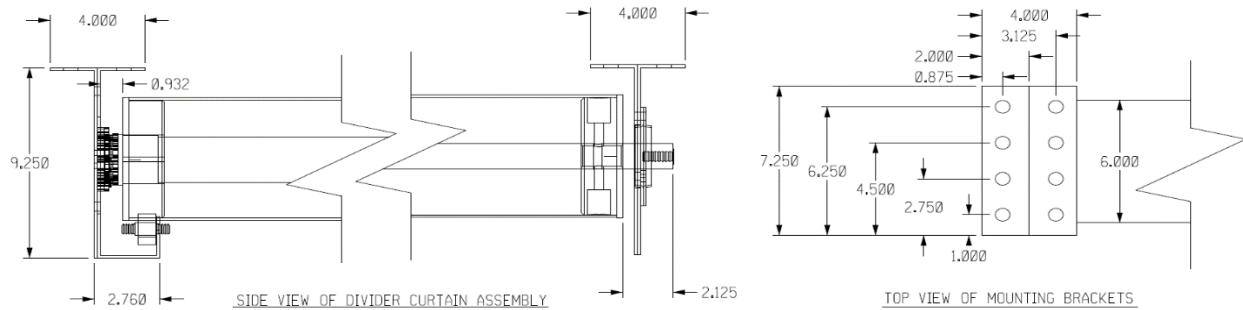


### 3 Use of Equipment

The RS-Divider Curtain is a motorized curtain designed to divide or separate a portion of an opening or room of a structure for environmental control. The Drive Pipe is powered by a Somfy tube mount motor typically wired to a 3 position constant contact switch.

### 4 General Dimensions

The RS-Divider Curtain mounting Dimensions are shown below.



### 5 Installation of RS-Divider Curtain

To avoid obstructions to curtain during installation, make sure that all trusses and other support beams do not fall below the required clear opening height.

#### 5.1 Tools Required

5/8 in. Drill bit and drill 3/4 in Wrench or Socket Phillips Head Bit or Screwdriver	Carpenter's level Tape measure Ladder
<i>NOTE: Other Tools May Be Required According To Installation.</i>	

#### 5.2 Overview

RS-Divider Curtains are shipped pre-assembled with the motor and curtain pre-installed. When components are received, check for damaged, loose or missing parts. If there are damaged or missing parts contact your RollSeal distributor immediately. Please read and understand all instructions in this manual before beginning installation.

#### 5.3 Attachment Points of Curtain

When installing the RS-Divider Curtain, pay close attention to the following guidelines. End brackets on the curtain have flanges with pre-drilled holes that serve as mounting points for the curtain.

1. Make sure that mounting surface is level & square.
2. The Left and Right mounting brackets have inner and outer flanges with pre-drilled holes that serve as attachment points.
3. Flanges must be flush against framing for attachment of screws/ bolts.
4. Flanges must remain parallel to each other and perpendicular to mounting structure for optimal performance.

#### 5.4 Fastening Curtain Assembly to Clear Opening

1. Verify that the overall height and overall width of the clear opening meet the requirements for the Curtain System.
2. Carefully press flanges of the end bracket assemblies flush against face of framing boards or posts. A lift, hoist, or other means of supporting the Divider Curtain will greatly assist in this step.
3. Use a level to check alignment. Loosely fasten the end brackets with two (2) bolts (in steel) or lag screws (in wood) through the flanges on both sides. Leave the screws loosely attached to allow for adjustment while plumb

and squaring the mounting brackets.

4. Adjust end brackets so they are parallel, level and square.
5. Install and tighten the remaining bolts or lag screws into the end brackets.
6. Re-verify alignment and make adjustments as needed.

**IMPORTANT: Leveling and plumb are very important. The curtain may bind if not properly squared.**

## 5.5 Setting Limit Switches

See Section 7, Wiring the RS-Divider Curtain, for power and switch wiring instructions.

The UP position & DOWN position have to be set. This is where the Door curtain will automatically stop.

### **Warning!**

**Motor Malfunction May Result If Open Limit Is Exceeded!  
If Open Limit Is Exceeded, Increased Circumference Of Curtain Roll May  
Cause Motor To Bind Or Tension Pipes May Become Lodged Inside Cover!**

1. Remove the protective cap covering the limit setting buttons on motor head, and replace when finished.



2. Depress fully both limit switch push buttons. They will automatically lock in the down position. Operate the switch and check that the system operates correctly.

**NOTE: Reverse the black and red wire if the UP and DOWN movement do not correspond to the UP and DOWN of the switch, See section 7. Disconnect all electrical power sources before changing wiring.**

3. Press the switch in the UP direction and allow the curtain to raise to desired upper position.

**IMPORTANT! Never Allow Tension Pipe To Hit Drive Pipe! Maintain 4 in. Clearance!**

4. Unlock the UP limit switch push button by depressing and releasing it.
5. Press the switch in the DOWN direction and allow the curtain to lower to the floor. Release the switch immediately when the floor position is reached.
6. Unlock the DOWN limit switch push button by depressing and releasing it.
7. Allow the motor to run in both directions. Check that the motor stops at the up & down positions just set.  
**Because of the built in thermal protection feature, the motor may shut off automatically after running without interruption for an extended period of time. Please wait until the motor has cooled off and is ready for operation again, (approximately 10-15 minutes).**
8. Open and close the curtains several times to tighten fabric and get rid of wrinkles
9. Readjust curtain panels and limit settings as required to achieve satisfactory fit and operation of curtains (See Section **Error! Reference source not found.**).
10. After required adjustments, reset limits if necessary.
11. Always remember to affix the protective cap over the limit switch buttons.

## 6 Motor position and curtain position

### 6.1 The RS-Divider Curtain is easily reversible

1. The motor position, when referring to left or right side of the curtain, can easily be swapped by rotating curtain 180 degrees prior to mounting; meaning, the curtain can be installed with the motor to the left or right side of the room or booth. This is particularly beneficial for wiring and routing the switches and power to the motor.
2. If installing with the motor on desired side of opening causes the curtain to unroll on the wrong side relative to

the drive pipe, the curtain can be back rolled on to the drive pipe to achieve desired appearance.

## 6.2 How to back roll the curtain

1. Back rolling the curtain will make the curtain roll up in the opposite direction and on the opposite side of the drive pipe.
2. To back roll the curtain, run the curtain down to the floor. If limits are already set then depress and release both limit buttons to reset (see section 5.5).
3. Continue to roll curtain down (illustration 1), excess curtain material will build up on floor, until all material has unrolled from the drive pipe (illustration 2) and the drive pipe starts to roll the material back on the seam and starts lifting the panel back up (illustration 3).

Illustration 1.

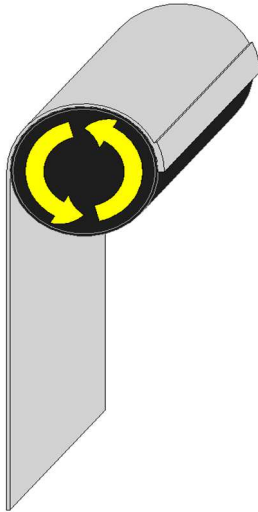


Illustration 2.

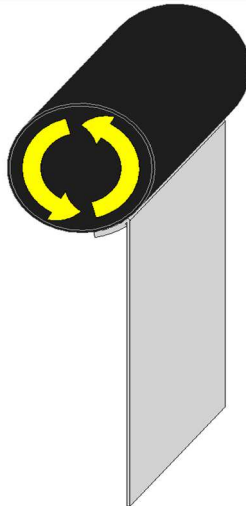
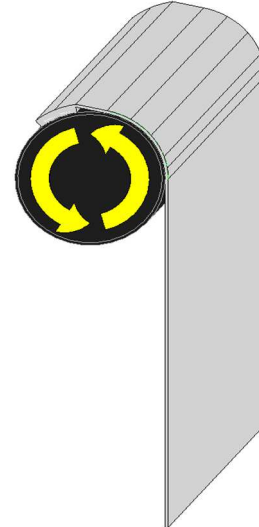


Illustration 3.



4. At this point you will be holding the down button on the switch, but the panel will be going up. To fix this simply switch the red and black wires on your switch, as described in section 7.
5. With the switch operating correctly, reset the limits as described in section 5.5.

## 7 Wiring the RS-Divider Curtain

### **Warning!**

All Wiring Should Be In Accordance with National Electrical Codes Or Other Local Codes.

### **Warning!**

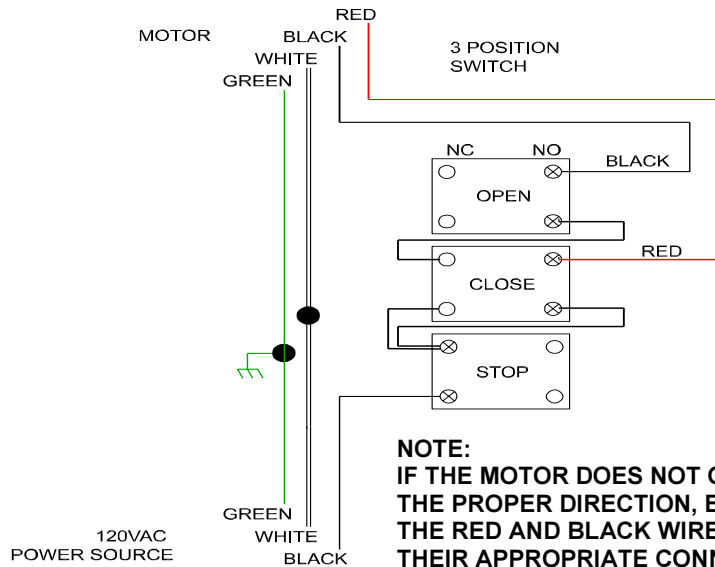
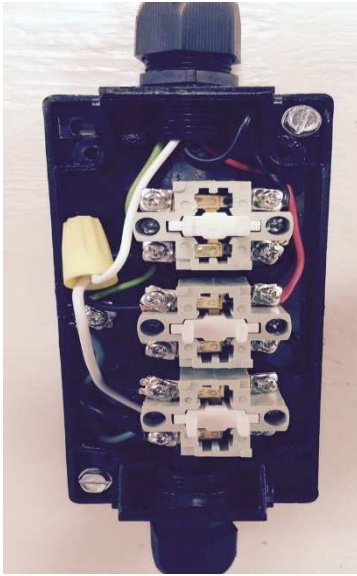
Do not wire two or more motors to one SPDT  
(single pole double throw switch-NO PARALLEL WIRING).



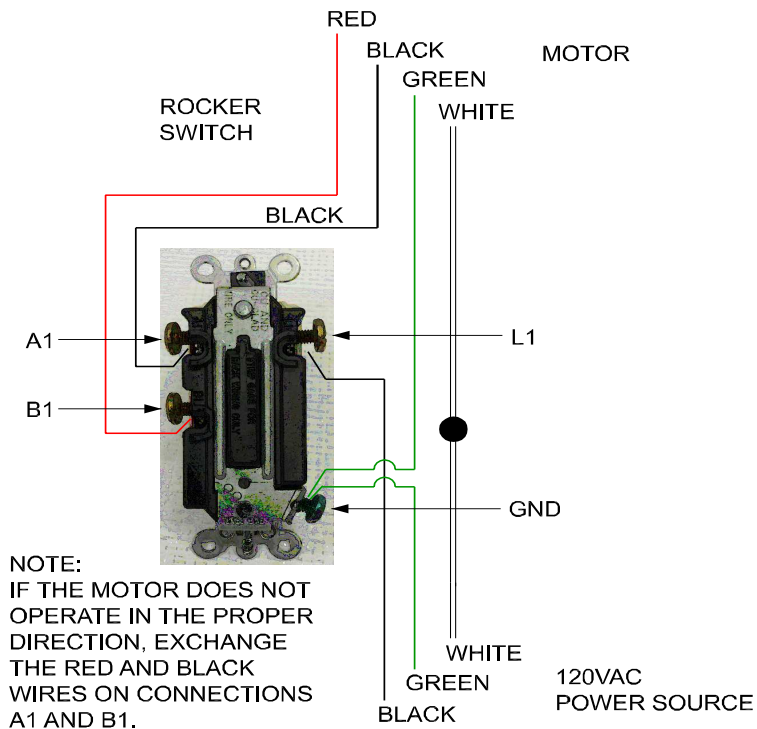
# ! Warning!

Do not use light switches.  
Do not wire two or more switches to one motor.

## 7.1 Somfy 3 Position Switch Wiring 120v



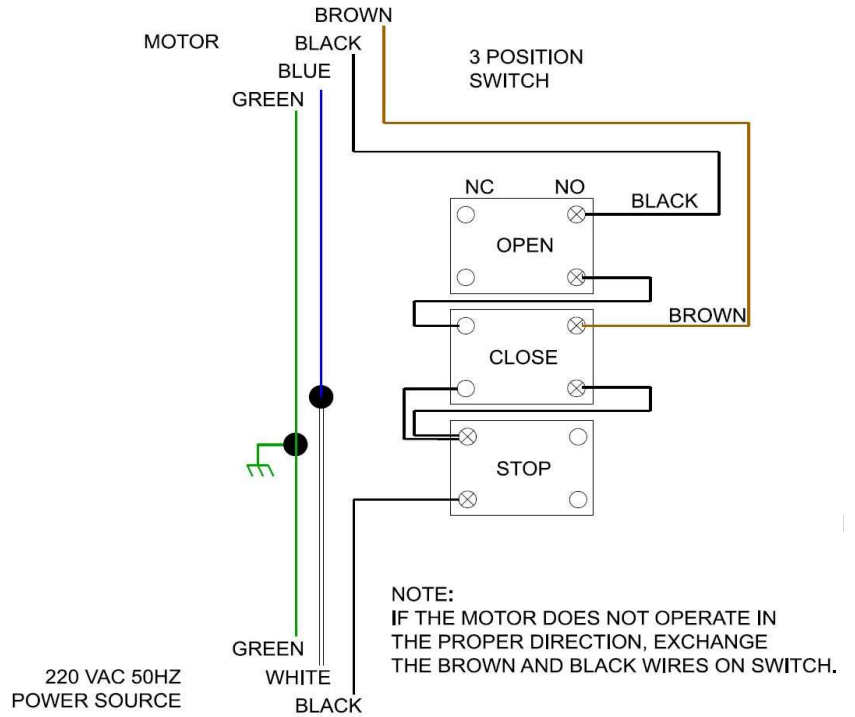
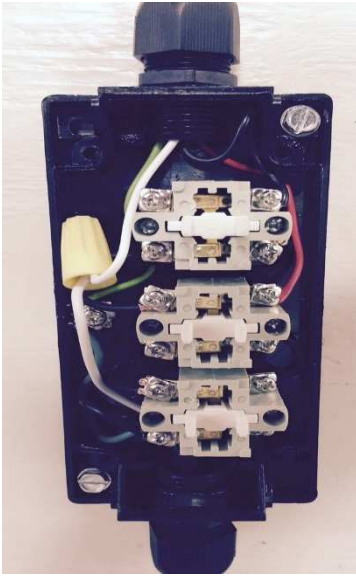
## 7.2 Somfy Rocker Switch Wiring 120v



# ! Warning!

Do not use light switches.  
Do not wire two or more switches to one motor.

## 7.3 Somfy 3 Position Switch Wiring 220v 50Hz



## 7.4 Somfy Rocker Switch Wiring 220v 50Hz

