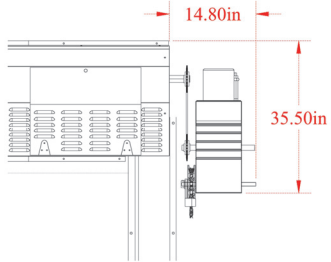
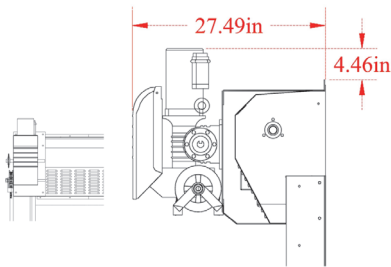


RollSeal®

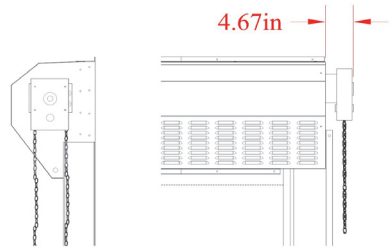
www.rollseal.net



Jackshaft Operator (Side Mount)



Jackshaft Operator (Front Mount)



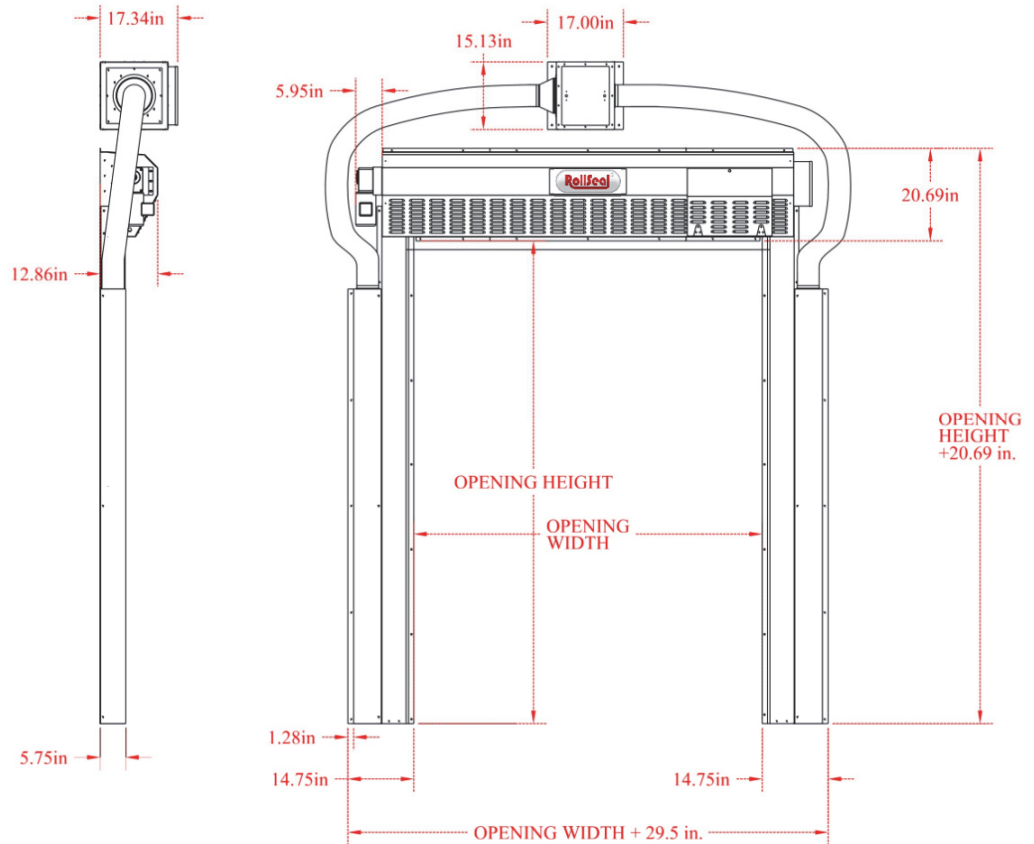
Manual Chain Hoist Operator

MODEL RS500 Freezer

Automated Roll-Up Door for Low Temp Applications



Direct Attached Intelli-Drive Operator Shown Below



* -10°F Inside & 70°F Outside w/55° Dew Point



Available Sizes: Up To 6' Wide x 9' Tall
Speed: Up to 18" per Second



Patented Sealing Technology



Ideal for New Construction & Retro-Fit



Impact Resistant Design



Reduces Operational Footprint

| Operators | Intelli-Drive / SC325 | Jackshaft Operator Gear Head (OGH) | Manual Chain Hoist | Condensation Management System (CMS) |
|--|----------------------------------|--|---------------------------------|--------------------------------------|
| Specifications: | | | | |
| Input Voltages | 230v | 230v | n/a | 230v (Blower 135w, Heater 1200w) |
| Input Amperage | 10a, 6a | 4.1a | n/a | 6a (Typical), 9a (Maximum) |
| Speed | Up To 18" /Sec. | 10" /sec. | n/a | n/a |
| Cycle Rating | 40 Cycles Per Hour / 180 Per Day | 25 Cycles Per Hour / 80 Cycles Per Day | 5 or Less / Day | Continuous |
| Horsepower | .25 hp | .5 hp | n/a | n/a |
| Drive Attachment Methodology | Direct | Chain / Sprocket | Direct | Center Above Door |
| Drive Mount (Orientation) | Left Side Only | Left Side or Right Side | Left Side or Right Side | n/a |
| Features: | | | | |
| Soft Start / Soft Stop | Yes | No | n/a | n/a |
| Programmable Control | Yes | No | n/a | n/a |
| Automatic Closure Feature | Yes | Yes | n/a | n/a |
| Manual Override | Hand Crank handle | Chain Hoist | Chain Hoist | n/a |
| Overhead Mounting Option | n/a | Optional | n/a | n/a |
| Safety Beams (Photo Eyes) | Standard | Standard | n/a | n/a |
| Lead Edge Switch | Standard | Optional | n/a | n/a |
| Brake | Solenoid | Mechanical | No | n/a |
| Door Movement Warning (Indicator) Light | Standard | No | No | n/a |
| Certifications: | | | | |
| EISA Exempt | Yes | No | No | Yes |
| NSF (National Sanitation Foundation) | Yes | No | No | Yes |
| CSA / UL | UL 325 | CSA C22.2-247.92 / UL325 | n/a | n/a |
| Environmental Considerations: | | | | |
| Min/Max Ambient Oper. Temperature | 32°F / 104°F | 32°F / 104°F | n/a | 32°F / 104°F |
| Atmosphere | Non Corrosive or Excessive Dust | Non Corrosive or Excessive Dust | Non Corrosive or Excessive Dust | Non Corrosive or Excessive Dust |
| Application | General Purpose | General Purpose | General Purpose | General Purpose |
| Optional Features / Accessories: | | | | |
| Emergency Egress Option | Yes | Yes | n/a | n/a |
| Egress Buzzer (Alerts Egress is Engaged) | Yes | No | n/a | n/a |

| Frame Material (Header and Tracks) | Aluminum 6061 T6 | G90 Galvanized | 304 2b Stainless Steel |
|------------------------------------|------------------|----------------|------------------------|
| | Standard | Optional | Optional |

| Tension Pipes | Impact Resistant (Soft) | Impact Resistant (Rigid) |
|---------------|----------------------------------|---|
| | Standard (Foam w/Fiberglass Rod) | Optional (Galvanized Pipes w/Spring Action) |

| Panel Material (Fabric) | Front Panel | Center Panel | Back Panel |
|-------------------------|--|-----------------------|------------------------------|
| | Premium White | Clear (Frost) | Insulated Foam Freezer Panel |
| Base Panel Material | Woven PP (Polypropylene) Scrim w/Static Dissipative Yarn | Woven Clear HDPE | Polyfoam |
| Coating | 2 Mil Avg Per Side | 1.75 Mil Avg Per Side | 2 Mil Avg Per Side |
| Weight | 9.3 oz | 7.5 oz | 38.3 oz (3mm) |
| Cold Crack Rating | -30° F | -30° F | -30° F |
| Color | Premium White | Clear (Frost) | Premium White |

| Seal | Magnetic |
|--|-----------------------------------|
| Material | Spring Steel / Industrial Magnets |
| Indoor w/operating pressure <0.020" W.C. | 0-180 Cycles Per Day |
| Required for NSF Certification | • |

Product Literature, Door Model Cut Sheets, Installation Manuals, Application Photos & Marketing Video can be found @ www.rollseal.net.

REFRIGERATED WALK-INS
(EISA)

RIPENING
ROOMS

COLD
STORAGE

FOOD
PROCESSING



RollSeal is a Division of HH Technologies, Inc. | www.rollseal.net
PO Box 99 - Bremen, AL 35033 | 1 (888) 765-5732 | (256) 287-7000

This product may be protected by one or more of the following patents:
US 5566736, US 5752557, US 5960847, US 6138739, US 7631683, US 7802607, US 7828037, US 8016014, US 8439099, AU 712128, AU 2007248467, BR 9611473-8, CA 2237302, CA 2650843, CA 2694300, IL 124347, IL 195072, JP 3772992, JP 5301428, MX 204223 & MX 301611 & other pending patents.